



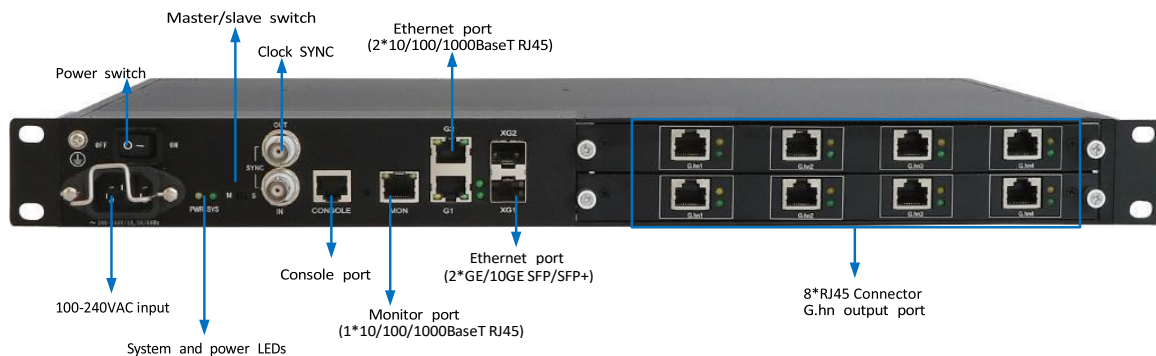
G4200-4/8T Twisted Pair Switch

Quick Start Guide

1. Hardware Descriptions

Panel information:

The front panel is shown as below:



The following table shows the port descriptions.

Label	Description
Console port	Console port with RJ45 connector for connection to a computer for console control /administration. The Console port can be used for accessing the OnAccess4200 CLI (command line interface) for out-of-band management.
Monitor port (MON)	1*10/100/1000BaseT local system provision/monitoring port
G1/G2	2*1GE Ethernet ports for uplink aggregation
XG1/XG2	2*10GE SFP+ Ethernet ports for uplink aggregation
G.hn1~4	G.hn ports for data signal and Phone signal
Master/slave switch	Select master or slave mode
SYNC	Clock SYNC
100~240 V AC INPUT	Connects to AC power supply:100-240VAC 50-60 Hz
Power switch	Open or shut off the power supply
GND	One optional threaded common ground connection.

The following table shows the LED descriptions.

Label	Type	Color	State	Description
PWR A/B	Power status	Yellow	On	The power is on and supplying the current to the system
			Off	The power is off or it is not supplying the current to the system
SYS	System status	Green	On	System is started
			Off	System does not start

G.hn1 G.hn2 G.hn3 G.hn4	G.hn link status	Green	On	The corresponding port connection normal
			Off	The link condition is poor or there is no connection to this port
		Yellow	On	The corresponding port connection abnormal and link quality is poor
			Off	The link condition is normal or there is no connection to this port
XG1/XG2	10G Ethernet link status	Green	On	The corresponding port connection normal
			Off	There is no connection to this port
G.hn	G.hn port status	Green	On	The corresponding port is selected.
			Off	The corresponding port is not selected.
Slot	Slot status		On	The corresponding slot is selected.
			Off	The corresponding slot is not selected.
G1/G2/ MON	Ethernet link status	Green	On	The connection Rate is 1000Mbps
			On	The connection Rate is 10/100 Mbps
		Yellow	On	The corresponding port connection normal
			Off	There is no connection to this port
			Blink	The G1/G2/ MON port is up and this port is working.

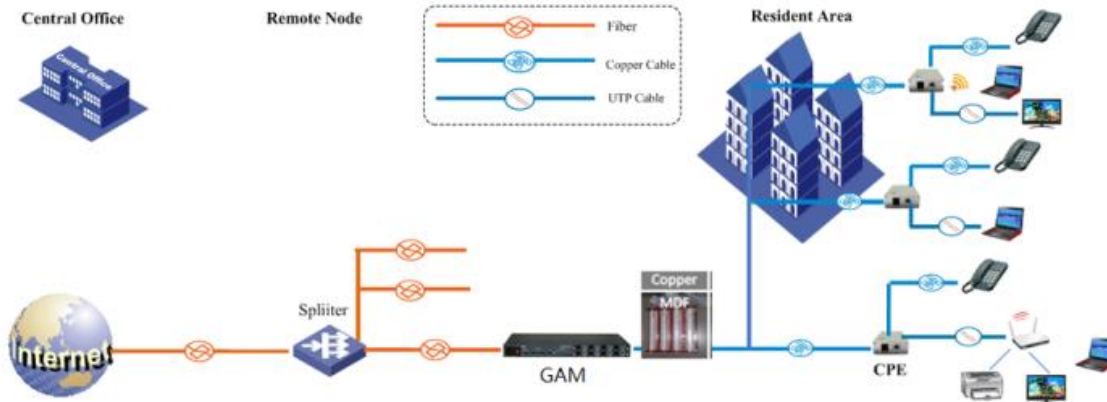
2. Install line card (optional)

Note: Be default, line cards were installed in the chassis before shipped.

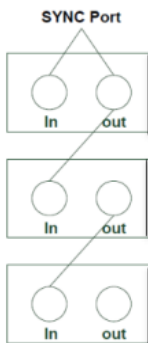



3. Application Diagram and installation instruction

3.1 Application

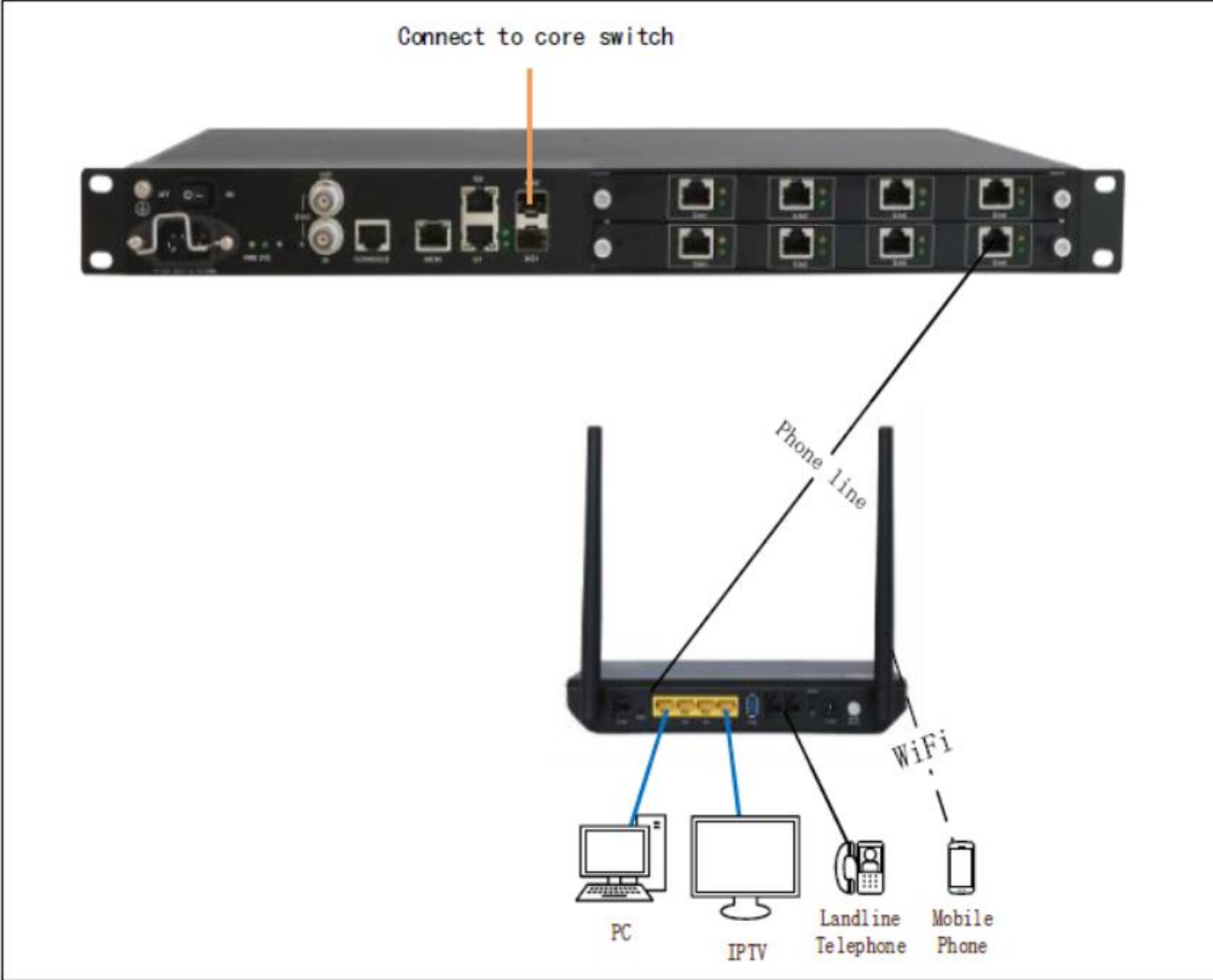


3.2 Sync Installation

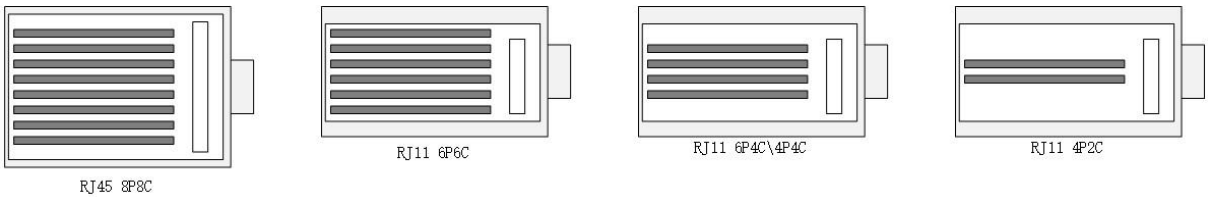


 NOTE	<p>If there is only one G4200-4/8T, you needn't use SYNC port. But if there is more than one G4200-4/8T, just only one is the primary and the rest are secondary. SYNC signal is sent out from the master. Please power the primary and then the secondary</p>
--	--

4. Set up



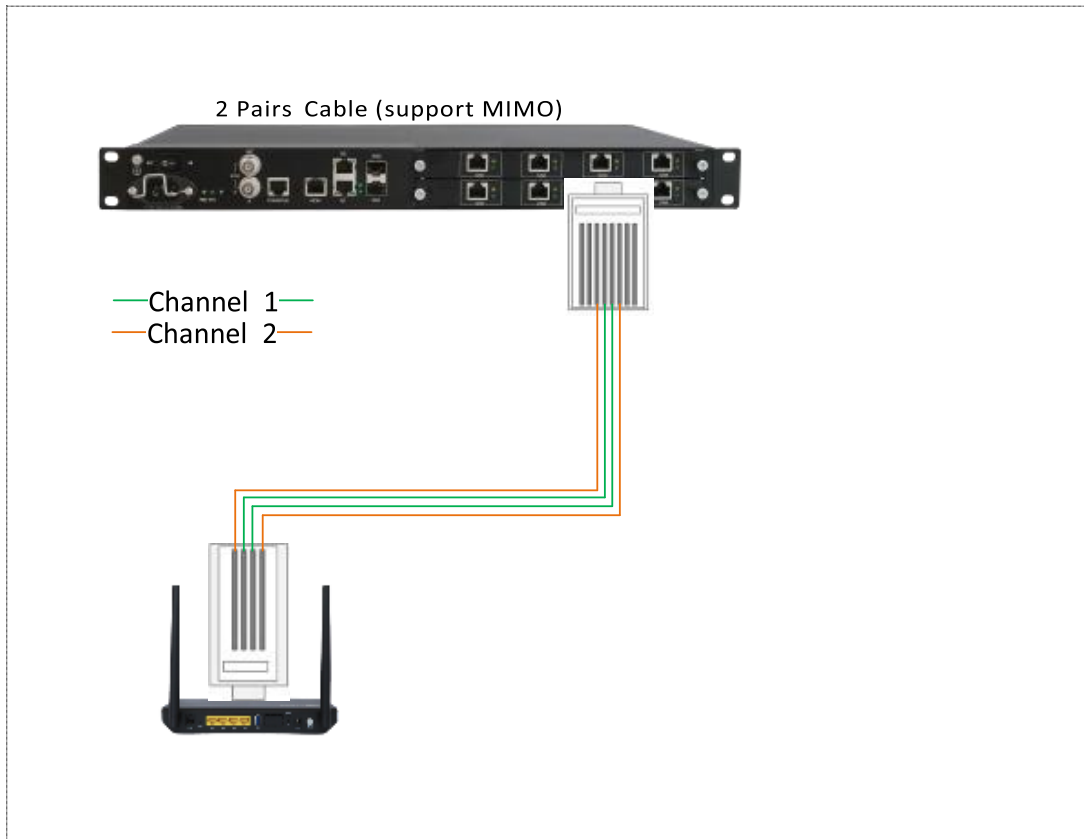
5. G.hn Cable and Connectors



Device	Supported connectors	Supported MIMO
Phone Line MDU	RJ45 8P8C RJ11 6P6C RJ11 6P4C RJ11 4P4C	Y
	RJ11 4P2C	N
Phone Line CPE	RJ11 6P6C RJ11 6P4C RJ11 4P4C	Y
	RJ11 4P2C	N

2 Pairs Cable Application

MDU needs to be configured as MIMO mode.



Single Pair Cable Application

MDU needs to be configured as SISO mode.



6. Login

6.1 Default Configuration:

Default IP Address

IP Address: 192.168.0.252

IP Sub network: 255.255.255.0

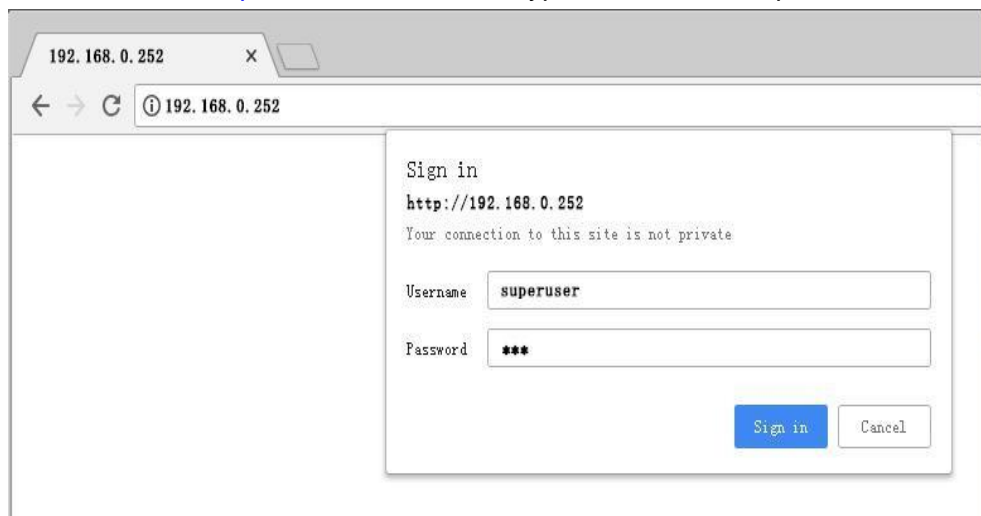
Accounts:

User name: superuser

Password: 123

6.2 Login to web management page

You can browse <http://192.168.0.252> and type user name and password



7. Configure IP

You can configure IP Address from “VLAN Management >> VLAN Interface” of left menu

